

Industrial stainless steel case gauges with bayonet ring, Model 4009

According ASME B40.1/EN 837
Nominal size 63 mm and 100 mm

Features

- Rugged construction
- Protection IP54 and IP65
- Overload protection 130 %
- Dry or liquid filled

Ranges

-1 ... 0 bar up to 0 ... 600 bar
-30 in. Hg ... 0 psi up to 0 ... 10.000 psi

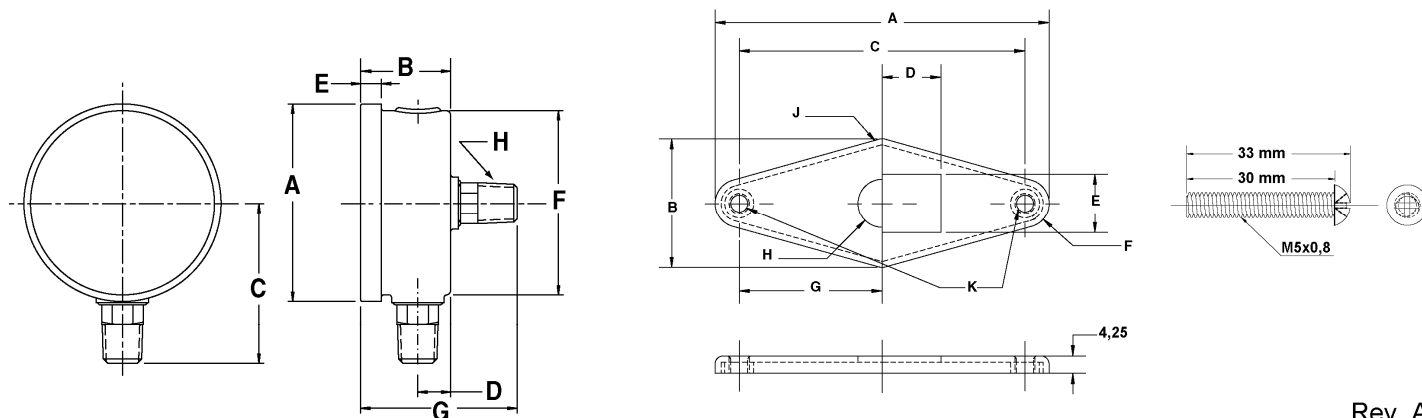
Applications

Chemical and petrochemical industry
Machine and apparatus construction
Food and beverage industry
Pulp and paper industry



Technical specification	4009=B		4009=S
	63	100	63
Dial size [mm]	63		100
Construction	Open front with bayonet ring		
Measuring principle	Bourdon tube with conventional movement		
Range [bar]	1 1,6 2,5 4 6 10 16 25 40 60 100 160 250 400 600 -1/0 -1/1,5 -1/3 -1/5 -1/9 -1/15		
Overpressure limit	130 % F.S., short time		
Pressure type	Gauge, vacuum and compound		
Process connection	¼ NPT male, G ¼ B male		¼ NPT male, G ¼ B male
Connection location	Lower, back	½ NPT male, G ½ B male Lower	Lower, back
Material	Brass Bronze Stainless steel 304 (1.4301)		Stainless steel 316 (1.4401) Stainless steel 316 (1.4401)
Pressure connection	Aluminum, black markings on white background		
Tube	Aluminum, black		
Case/ring	Brass		Stainless steel
Window	Acrylic, optional instrument glass		
Dial	Aluminum, black markings on white background		
Pointer	Aluminum, black		
Movement	Brass		Stainless steel
Accuracy	Grade A (2-1-2 %) according to ASME B40.1, optionally Class 1,6 according to EN 837-1		
Permissible	-25 ... 60 °C Medium temperature max. 100 °C Storage temperature -40 ... 65 °C Effect max. 0,3 % / 10 K		
Protection according EN 60 529/IEC 529	IP54 (dry), IP65 (liquid filled), optional IP65 for dry gauges		
Filling liquids	Glycerin or silicone		
Mounting	Stem, optional flush		
Weight dry/filled [kg]	0,25/0,4	0,4/0,6	0,25/0,4
Accessories, options	Diaphragm seals, valves		

General dimensions [mm]



Rev. A

Dial size	A	B	C	D	E	F		G	H
						lower	back		
63	66	29	53	10	10	62	-	52	1/4"
100	109	36	80	12	14	98	-	-	1/4", 1/2"

Dial size	A	B	C	D	E	F	G	H	J	K
63	83	32	71	14, 6	14, 2	12	35, 5	6	2,5	M5x0, 8

Panel mounting assembly for 63 mm

Order information

Size	System Material	Execution	Process connection	Connection orientation	Range	Engineering units	Filling liquid	Options
(63) 63 mm	(S) 316 (1.4401) tube and socket	(D) Standard dry IP54	(02) ¼ NPT male	(L) Lower	-1/ 0	(BAR)	(=) Standard no filling or Glycerin with execution (L)	(NH) Tagging wired
(100) 100 mm (not for system S)	(B) Bronze tube and Brass socket	(L) Liquid filled with Glycerin, IP65, standard accuracy Grade A	(13) G ¼ B male (04) ½ NPT male ¹⁾ (15) G ½ B male ¹⁾	(B) Back (not for dial size 100 mm)	-1/ 1,5 -1/ 3 -1/ 5 -1/ 9 -1/ 15 0/ 1 0/ 1,6 0/ 2,5 0/ 4 0/ 6 0/ 10 0/ 16 0/ 25 0/ 40 0/ 60 0/ 100 0/ 160 0/ 250 0/ 400 0/ 600		(GV) Silicone	(ON) Neutral, without logo (UC) U-clamp (only back connection, not for dial size 100 mm) (LJ) Field fillable, IP65 (CS) Dual scale (GRA) Accuracy Grade A (GRC) Accuracy Class 1,6
			¹⁾ only for dial size 100 mm			psi and others on request		

How to order

Size	Type	System material	Execution	Process connection	Connection orientation	Range	Engineering unit	Filling liquid	Option
63	4009	B	D	13	L	0/16	BAR	=	GRC

Ashcroft Instruments GmbH

Germany
Max-Planck-Str. 1, D-52499 Baesweiler
P.O. Box 11 20, D-52490 Baesweiler
Tel.: +49 (0) 2401 808-0, Fax: +49 (0) 2401 808-125

France
„206“ ZA Le Mandinet Rue des Campanules
F-77185 Lognes
Tel.: +33 (0) 1 60 37 25 30, Fax: +33 (0) 1 60 37 25 39

Website: www.ashcrofteurope.com e-Mail: sales@ashcrofteurope.com

United Kingdom
Unit 5 William James House
Cowley Road, Cambridge CB4 0WX
Tel.: +44 (0) 12 23 39 55 00, Fax: +44 (0) 12 23 39 55 01

Ashcroft Instruments GmbH**Germany**

Max-Planck-Str. 1, D-52499 Baesweiler
P.O. Box 11 20, D-52490 Baesweiler

Tel.: +49 (0) 2401 808-0, **Fax:** +49 (0) 2401 808-125

France

„206“ ZA Le Mandinet Rue des Campanules
F-77185 Lognes

Tel.: +33 (0) 1 60 37 25 30, **Fax:** +33 (0) 1 60 37 25 39

Website: www.ashcrofteurope.com

e-Mail: sales@ashcrofteurope.com

United Kingdom

Unit 5 William James House
Cowley Road, Cambridge CB4 0WX

Tel.: +44 (0) 12 23 39 55 00, **Fax:** +44 (0) 12 23 39 55 01